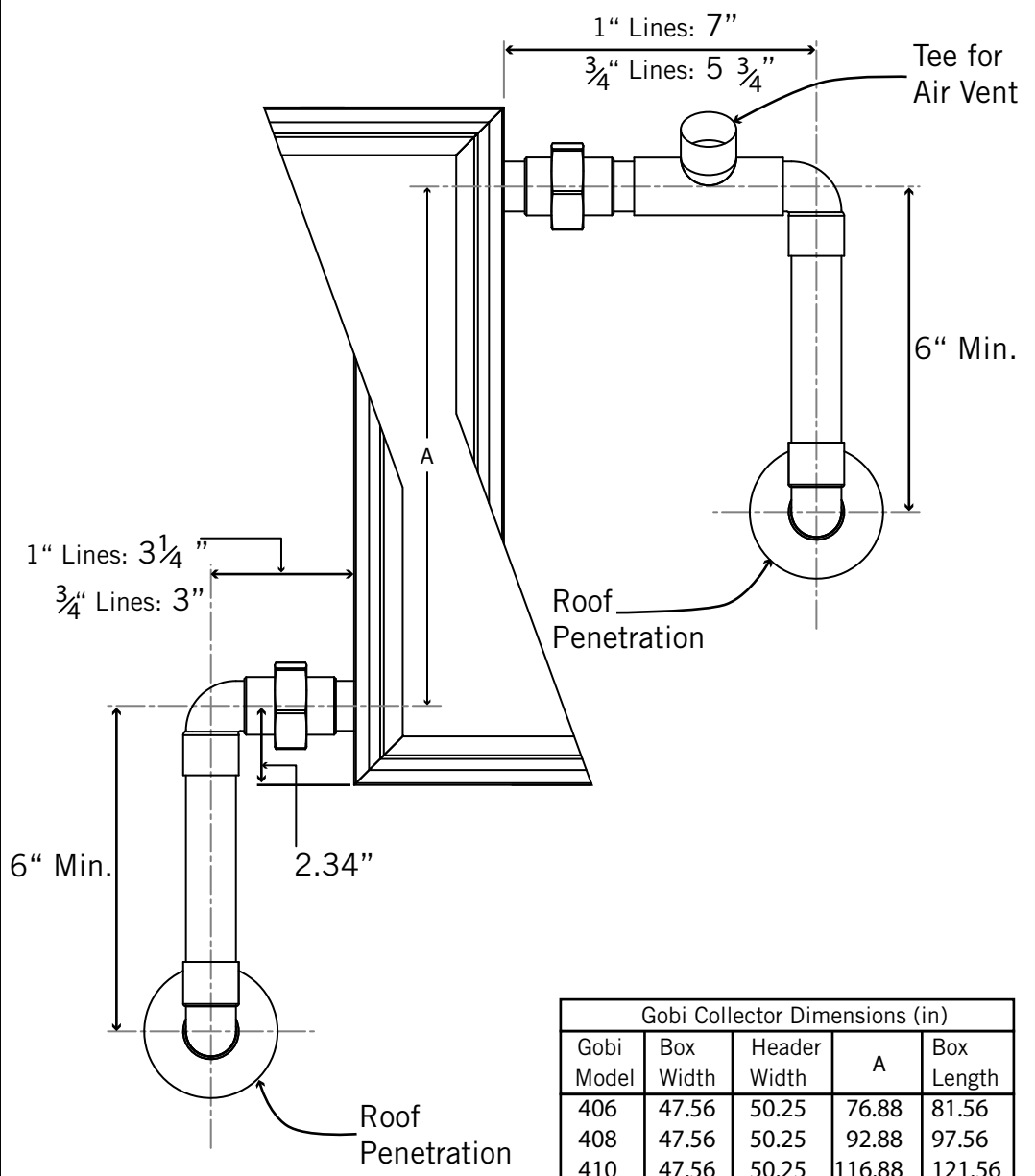
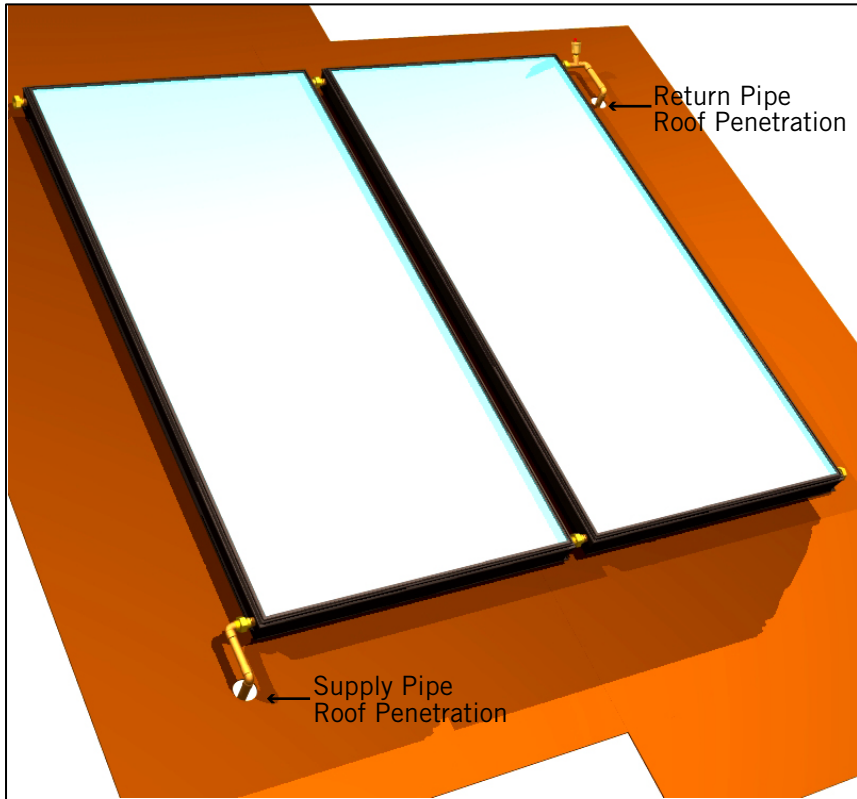


# ROOF PLUMBING GOBI COLLECTORS



Gobi Collector Dimensions (in)				
Gobi Model	Box Width	Header Width	A	Box Length
406	47.56	50.25	76.88	81.56
408	47.56	50.25	92.88	97.56
410	47.56	50.25	116.88	121.56

- Notes:
- Refer to Heliodyne Collector Installation, Operation, and Maintenance Guidelines
  - Install expansion arm (6" copper pipe) to buffer Gobi Collector header expansion.
  - Always plumb collectors in reverse return for proper flow distribution and performance.
  - Use Dos-Discs for capping off unused header connections and solder connections, feeding bottom, exiting opposite top.
  - Use rubber pipe insulation; avoid foam insulation which will melt away.
  - Install air vents at all high points in system.